



# TAKOO 5

*Technical specifications*

TECHNICAL DATA

			<b>39</b>	<b>42</b>	<b>44</b>
<b>CELLS</b>	<b>Number</b>		54	54	54
<b>ASPECT RATIO</b>	<b>Flat</b>		5,5	5,5	5,5
<b>AREA</b>	<b>Flat</b>	m2	38	41	44
	<b>Projected</b>	m2	32,18	34,72	37,26
<b>SPAN</b>	<b>Flat</b>	m	14,46	15,02	15,56
<b>CHORD</b>	<b>Maximum</b>	m	3,29	3,41	3,54
<b>LINES</b>	<b>Total</b>	m	370	385	400
	<b>Main</b>		3/3/3/2	3/3/3/2	3/3/3/2
<b>RISERS</b>	<b>Number</b>	4	A/B/C/D	A/B/C/D	A/B/C/D
	<b>Accelerator</b>	mm	100	100	100
<b>WEIGHT IN FLIGHT</b>	<b>Min-Max</b>	Kg	110-190	120-220	140-239
<b>GLIDER WEIGHT</b>		Kg	7,14	7,51	8,06
<b>CERTIFICATION</b>	<b>EN/LTF</b>		B	B	B
			DGAC	DGAC	DGAC

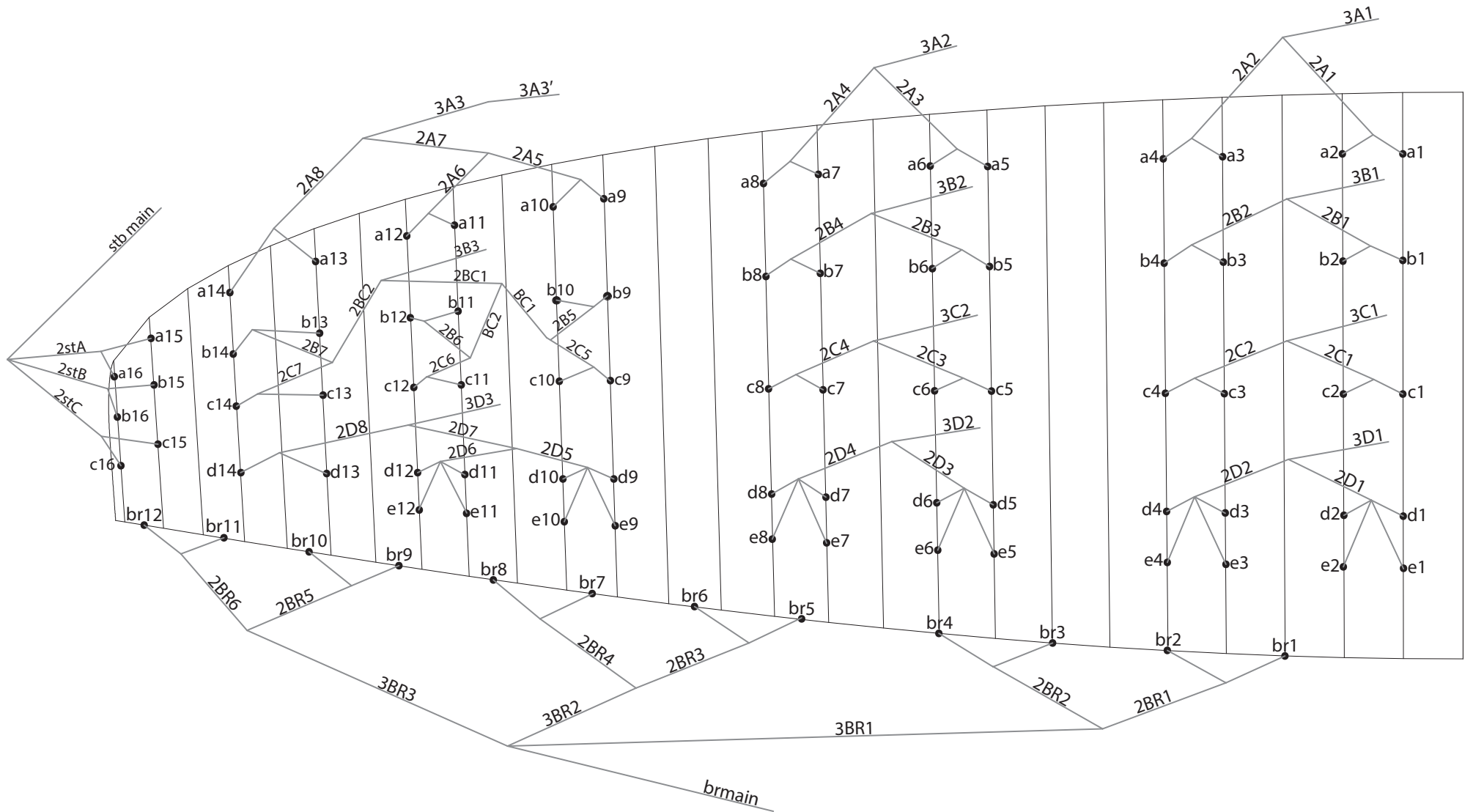
**MATERIALS TECHNICAL DATA**

<b>CANOPY</b>	<b>FABRIC CODE</b>	<b>SUPPLIER</b>
UPPER SURFACE	30 DMF / N20 DMF	DOMINICO TEX CO (KOREA)
BOTTOM SURFACE	PORCHER DE 32 GR	DOMINICO TEX CO (KOREA)
PROFILES	30 DFM / 2044 32 FM	DOMINICO TEX CO (KOREA)
DIAGONALS	30 DFM / 2044 32 FM	DOMINICO TEX CO (KOREA)
LOOPS	LKI - 10	KOLON IND. (KOREA)
REINFORCEMENT LOOPS	W-420 / RIPSTOP FABRIC	D-P (GERMANY)
TRAILING EDGE REINFORCEMENT	MYLAR	D-P (GERMANY)
RIBS REINFORCEMENT	LTN-1/0.8 STICK	SPORTWARE CO.CHINA
THREAD	SERAFIL 60	AMAN (GERMANY)

<b>SUSPENSION LINES</b>	<b>FABRIC CODE</b>	<b>SUPPLIER</b>
UPPER CASCADES	MATRIX - 80	EDELRID (GERMANY)
UPPER CASCADES	PPSL - 120	LIROS GMHB (GERMANY)
MIDDLE CASCADES	PPSL - 120	LIROS GMHB (GERMANY)
MIDDLE CASCADES	PPSL - 200	LIROS GMHB (GERMANY)
MIDDLE CASCADES	TNL - 280	TEIJIM LIMITED (JAPAN)
MIDDLE CASCADES	MATRIX - 80	EDELRID (GERMANY)
MAIN	TNL - 140	TEIJIM LIMITED (JAPAN)
MAIN	TNL - 280	TEIJIM LIMITED (JAPAN)
MAIN	TNL - 400	TEIJIM LIMITED (JAPAN)
MAIN BREAK	TARAX-240	EDELRID (GERMANY)
THREAD	SERAFIL 60	AMAN (GERMANY)

<b>RISERS</b>	<b>FABRIC CODE</b>	<b>SUPPLIER</b>
MATERIAL	G-R 22	TECNI SANGLES (FRANCE)
COLOR INDICATOR	210D	TECNI SANGLES (FRANCE)
THREAD	V138	COATS (ENGLAND)
MAILLONS	MRI4	ANSUNG PRECISION (KOREA)
PULLEYS	RF25109	RONSTAN (AUSTRALIA)

SUSPENSION PLAN





<b>A</b>	<b>A'</b>	<b>B</b>	<b>C</b>	<b>D</b>
3A1	3A3	3B1	3C1	3D1
3A2		3B2	3C2	3D2
		3B3	stab	3D3



**COLORS TECHNICAL DATA**

<b>BOREAL</b>	SB1	ROYAL BLUE	TOP	REF: 317
	SB2	WHITE	BOTTOM - ALL WHITE	REF: 001
	SB3	LIMA	HORN	REF: 500
	SB4	WHITE	SHADOW	REF: 001



<b>JAVA</b>	SB1	SPECTRA GREEN	TOP	REF: 17-5335
	SB2	WHITE	BOTTOM - ALL WHITE	REF: 001
	SB3	ORANGE	HORN	REF: 744
	SB4	BLACK	SHADOW	REF: 102



<b>ILLUSION</b>	SB1	PURPLE	TOP	REF: 240
	SB2	WHITE	BOTTOM - ALL WHITE	REF: 001
	SB3	GOLD	HORN	REF: 939
	SB4	BLACK	SHADOW	REF: 102



<b>TULIP</b>	SB1	DRAGON RED	TOP	REF: 636
	SB2	WHITE	BOTTOM - ALL WHITE	REF: 001
	SB3	WHITE	HORN	REF: 001
	SB4	LIMA	SHADOW	REF: 500



WING LOAD TECHNICAL DATA

TAKOO 5

39		42		44	
P.T.V.	KG/M2	P.T.V.	KG/M2	P.T.V.	KG/M2
110	= 2,89	120	= 2,93	140	= 3,18
115	= 3,03	125	= 3,05	145	= 3,30
120	= 3,16	130	= 3,17	150	= 3,41
125	= 3,29	135	= 3,29	155	= 3,52
130	= 3,42	140	= 3,41	160	= 3,64
135	= 3,55	145	= 3,54	165	= 3,75
140	= 3,68	150	= 3,66	170	= 3,86
145	= 3,82	155	= 3,78	175	= 3,98
150	= 3,95	160	= 3,90	180	= 4,09
155	= 4,08	165	= 4,02	185	= 4,20
160	= 4,21	170	= 4,15	190	= 4,32
165	= 4,34	175	= 4,27	195	= 4,43
170	= 4,47	180	= 4,39	200	= 4,55
175	= 4,61	185	= 4,51	205	= 4,66
180	= 4,74	190	= 4,63	210	= 4,77
185	= 4,87	195	= 4,76	215	= 4,89
190	= 5,00	200	= 4,88	220	= 5,00
		205	= 5,00	225	= 5,11
		210	= 5,12	230	= 5,23
		215	= 5,24	235	= 5,34
		220	= 5,37	240	= 5,45

**SUSPENSION TECHNICAL DATA**

**TAKOO 5**

MATERIAL CODE		MATRIX	PPSL	PPSL	TNL	TNL	TNL	TNL	TARAX
STRENGTH CODE		80	120	200	080	140	280	400	240
DIAMETER mm	Ø	0,9	1,15	1,42	1,1	1,4	1,8	2,3	1,9
CORE MATERIAL		DYNEEMA	DYNEEMA	DYNEEMA	TECHNORA	TECHNORA	TECHNORA	TECHNORA	DYNEEMA
SLEEVE MATERIAL		POLYESTER	POLYESTER	POLYESTER	POLYESTER	POLYESTER	POLYESTER	POLYESTER	POLYESTER
WEIGHT G/M	TOTAL	0,7	1	1,6	1,1	1,2	2,7	4	2,3
BREAKING STRENGTH	MINIMUM	80	120	200	80	140	280	460	240
	MAXIMUM		159	241	92	160	320	470	
STRENGTH AFTER									
5.000 BENDING	TEST EN		135	191	36,7	76,1	134,7	160,1	
CYCLES									
ELONGATION AT	5 DAN EN %	0,1-0,4			0,3	0,2	0,2	0,05	0,1-0,3
	10 DAN EN %		0,2	0,24	0,5	0,3	0,3	0,1	0,2-0,4
	15 DAN EN %				0,7	0,5	0,4	0,2	0,2-0,6
	20 DAN EN %				1	0,6	0,4	0,2	0,3-0,7
	25 DAN EN %	0,8-1			1,3	0,8	0,5	0,3	0,4-0,8
	30 DAN EN %		0,6	0,55	2,3	1,5	0,9	0,6	
	75 DAN EN %	2,5-2,8			2,8	2,3	1,3	0,8	0,9-1,2
	100 DAN EN %					2,7	1,7	1,1	1,1-1,5
	125 DAN EN %					3,2	2	1,4	
	150 DAN EN %						2,3	1,7	1,5-2,1
	175 DAN EN %						2,7	2	
	200 DAN EN %						2,8	2,2	2-2,8
ELONGATION MAX. BREAKING STRENGTH %			2		3	3,4	4,1	4,6	

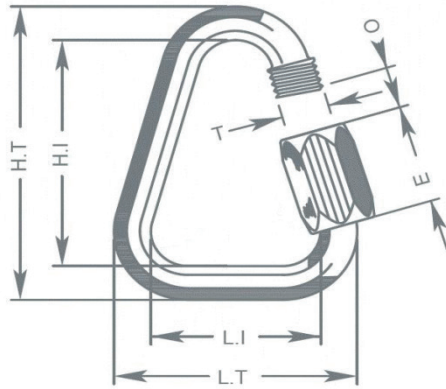


**MAILLON TECHNICAL DATA**

**DESCRIPTION**

MAILLON	DELTA
CODE	3.5
MATERIAL	STAINLESS STEEL
SIZE	3 m/m
WEIGHT	5 G/PIECE
QUANTITY	10 PIECES
INSERTS	2 GREEN / 8 BLACK

**TECHNICAL SPECIFICATIONS**



DIMENSIONS	mm
L.T.	22
L.I.	14
H.T.	37
H.I.	29
O	5
E	12
T	4
LOAD	KG
WORKING LIMIT	110
BREAKING	550

**MATERIAL**

AISI 304 STAINLESS STEEL STANDARD

CLOSING APPLIED BY MANUAL & ENTIRE SCREWING OF THE NUT  
TO GUARANTEE THE HIGHEST SAFETY (NO THREAD SHOULD BE OBVIOUS)

SYSTEMATIC CONTROL OF MAILLON QUICK-LINKS BEFORE EVERY FLIGHT

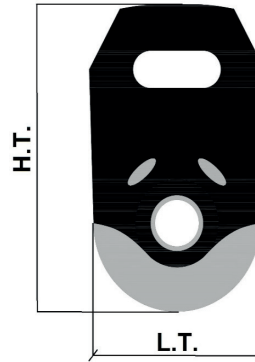
**PULLEY TECHNICAL DATA**

**DESCRIPTION**

PULLEY	20 m/m
CODE	RF25109
MATERIALS	STAINLESS STEEL
	NYLON
	CARBON ACETAL
BEARING	DELRIN®
WEIGHT	14 G/PIECE

**TECHNICAL SPECIFICATIONS**

DIMENSIONS	mm
L.T.	20
H.T.	33
Ø	5 MAX
LOAD	KG
WORKING LIMIT	200
BREAKING	400



**THREAD TECHNICAL DATA****SAIL MAKING**

NAME	SERAFIL
N° OF REFERENCE	60
MATERIAL	POLYESTER
TYPE OF FINISH	SILK
LINEAR DENSITY	NM 61 / 3 (DTEX 163 * 3)
BREAKING STRENGTH	3,000 CN
ELONGATION	17,00%

**SERAFIL PROPERTIES**

SOLIDITY ARTIFICIAL LIGTH	ISO 105 B02 > 5 - 6
SOLIDITY SWEAT	ISO 105 E04 > 4
SOLIDITY WASHING	ISO 105 C04 > 3
SOLIDITY GRAZE IN DRY	ISO 105 X12 > 4
SOLIDITY WASHING IN DRY	ISO 105 D01 > 3 - 4

TREATMENT WATER REPELLENT	WR
---------------------------	----

**RISERS MAKING**

NAME	COATS BONDED C.F.P.
N° OF REFERENCE	V138
MATERIAL	POLYESTER
TYPE OF FINISH	SILK
BREAKING STRENGTH	9,5 KG
ELONGATION	19%

**RISERS TECHNICAL DATA****RISERS**

N° OF REFERENCE	G-R 22
MATERIAL	POLYESTER
WIDTH	22 M/M
THICKNESS	1,52 M/M
BREAKING STRENGTH	1100 DAN
ELONGATION	MAX. 15%
WEIGHT	25 G/M
COLOR	BLACK

**COLOR INDICATOR**

N° OF REFERENCE	IC-G 1-2
MATERIAL	POLYESTER
WIDTH	70 Mm
THICKNESS	0,80 Mm
BREAKING STRENGTH	130 DN
ELONGATION	35 %
WEIGHT	32 G * L.M.
COLOR	GREEN

**LOOPS**

N° OF REFERENCE	LKI - 10
MATERIAL	NYLON
WIDTH	10 Mm
BREAKING STRENGTH	84 KG
ELONGATION	30 %
WEIGHT	5,5 G/M
COLOR	WHITE

